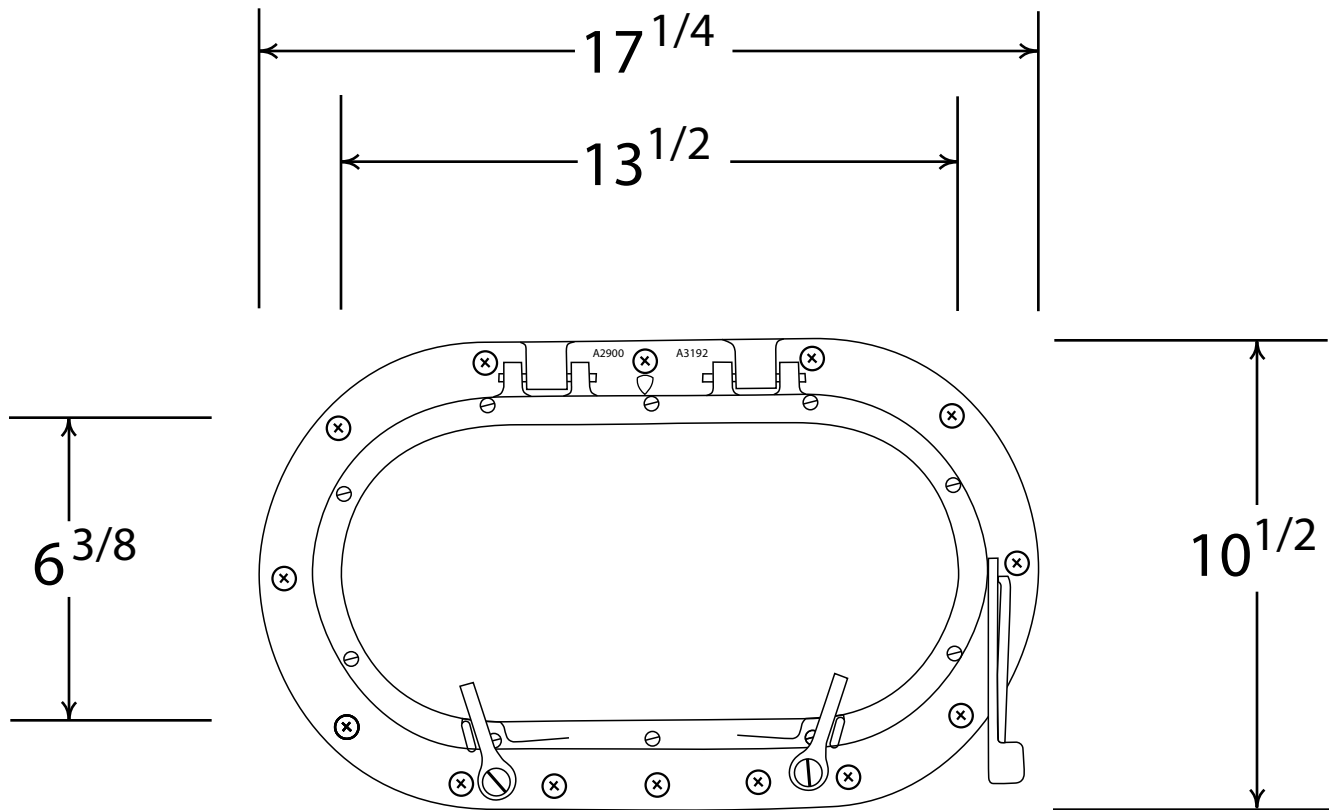


PORTLIGHT 2900



SIZE

Window Glass $6\frac{3}{8}$ X $13\frac{1}{2}$

Overall $10\frac{1}{2}$ X $17\frac{1}{4}$

IDENTIFYING MARKS

A2900 number in casting, left of top center flange screw

A3192 number in casting, right of top center flange screw

ABW shield in casting, under center flange screw

CONSTRUCTION

Cast in bronze with 2 pinch dogs, glass frame held in with 10 machine screws, portlight installed with 14 screws